
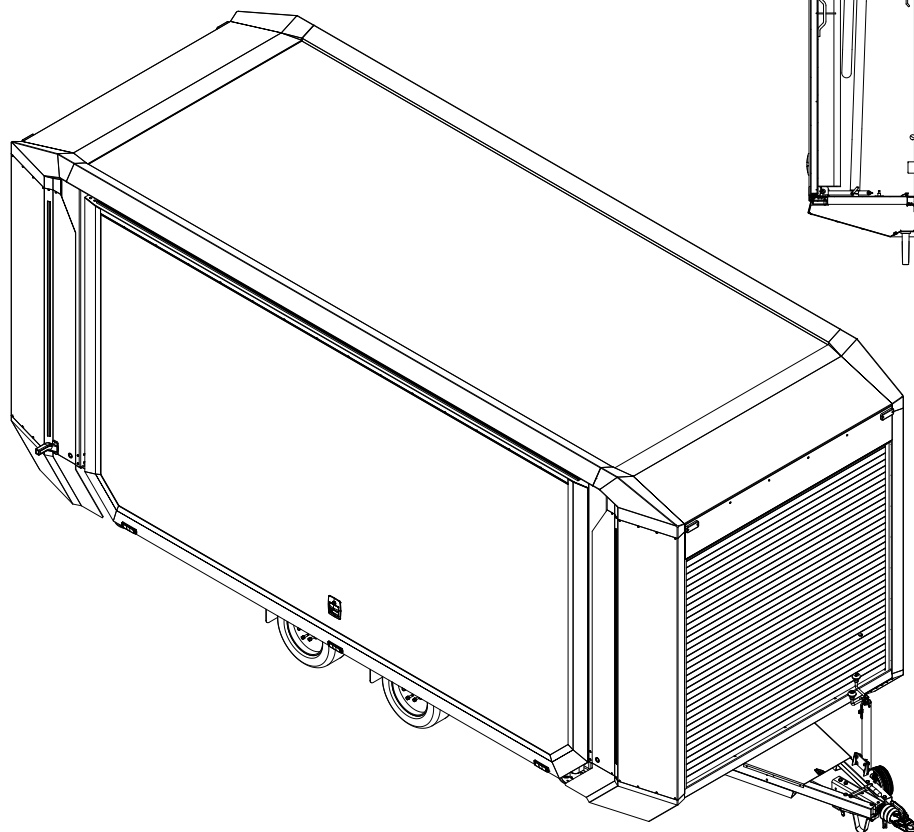
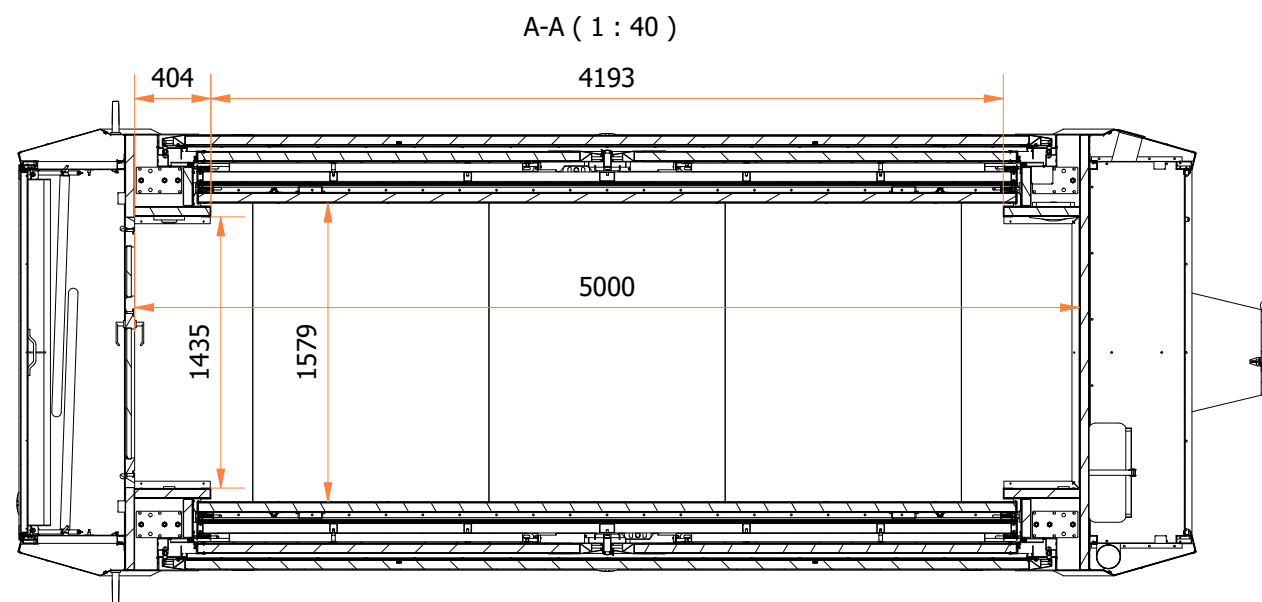
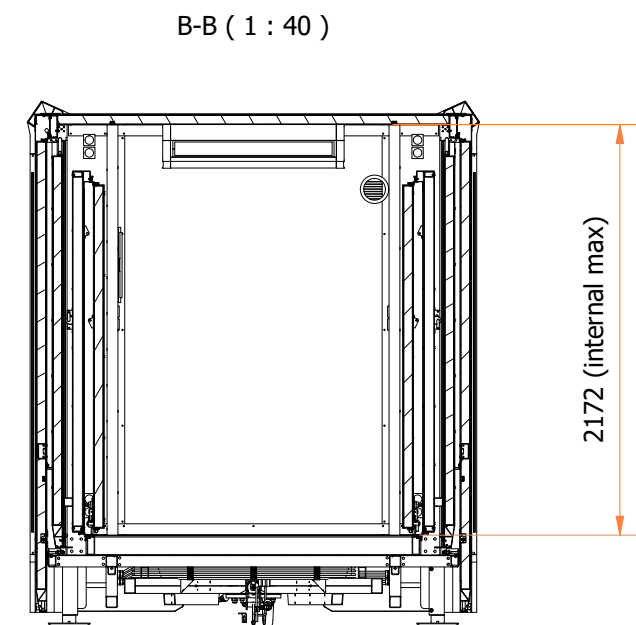
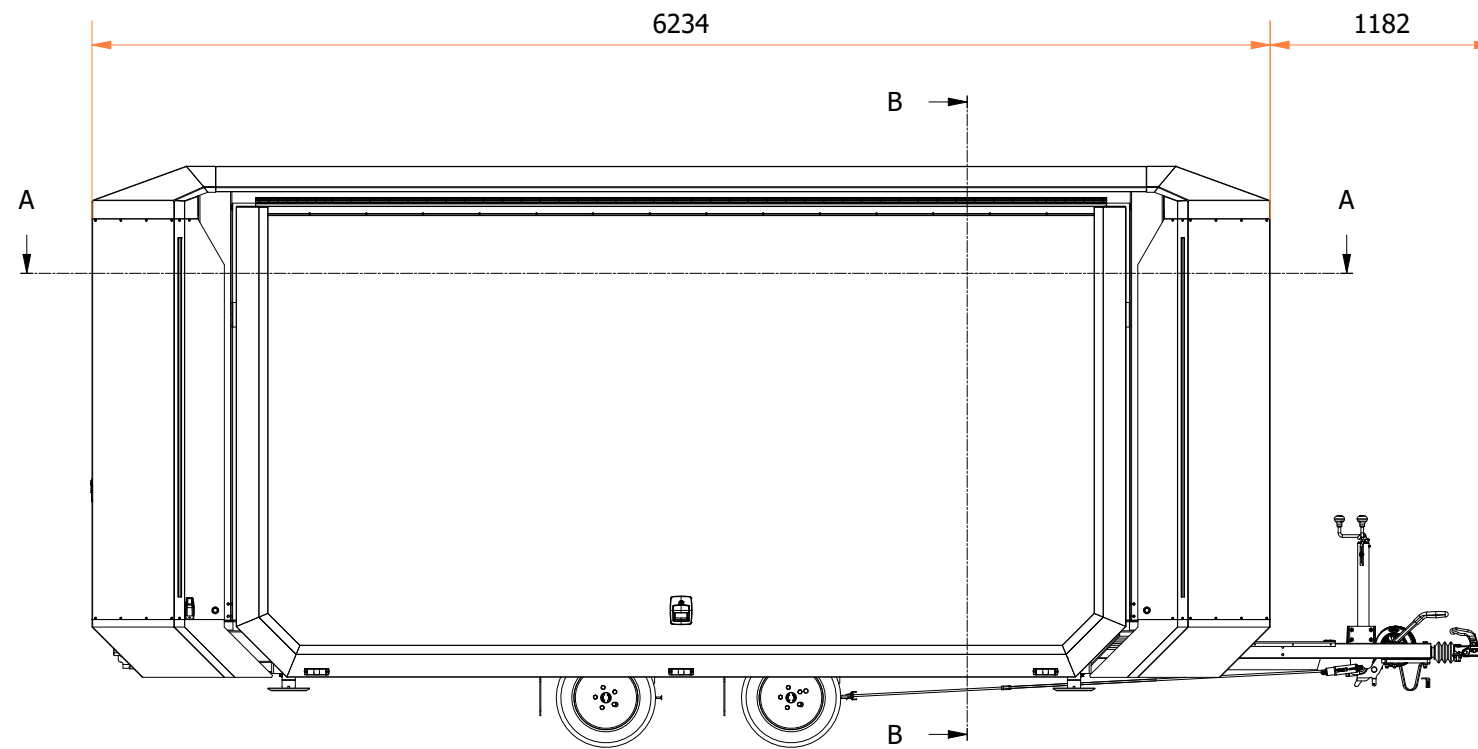
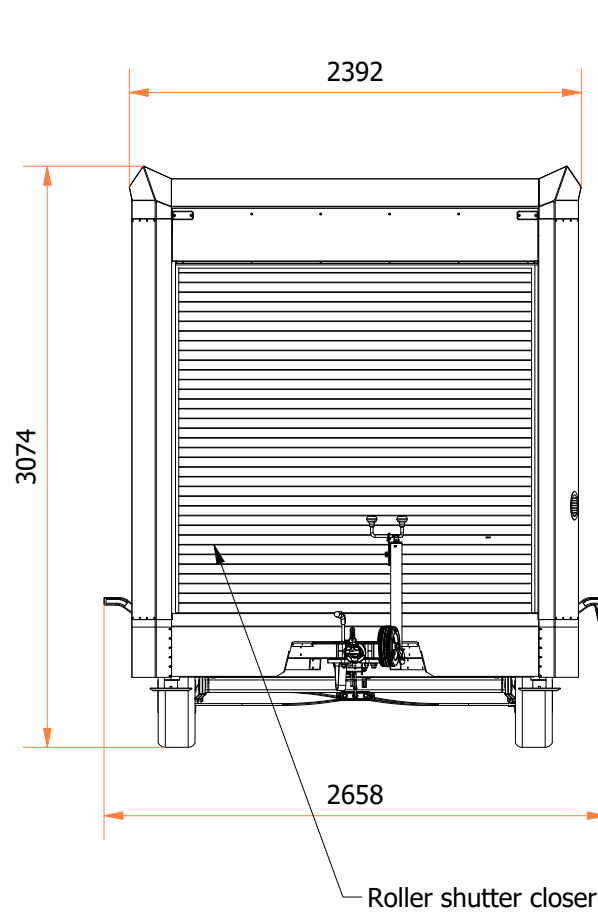



LIST		
Item	Qty	Name
1	6	LED lights outside
2	2	LED lights in the middle
3	4	LED lights on the sides
4	2	Power input
5	28	Sockets
6	1	Stairs
7	1	Air conditioning unit, outdoor
8	1	Air conditioning unit, indoor
9	1	Ventilation unit
10	1	Air intake
11	2	Floor Socket
12	1	Battery
13	1	Niv. legs pump station
14	4	Niv. legs
15	2	Handle
16	1	Door
17	1	Stair roof

Client: MDSC		 <p>MDSC SYSTEMS OÜ Kukermiidi 8 Tallinn 11216 tel 6508820 fax 6508821 http://www.mdsc-systems.com</p>
Object: Rolling Unit		
Category: LAYOUT		
Drawing : Rolling Unit RU54 - New Design		
Pr Manager: R.Sink		
Draftsman: M. Voitk		Format:A3
M:(1 : 60) Project nr.		Sheet: 1 / 2
File: RU54-1.00-LAYOUT.dwg		Creation date: 09.05.2022
Sharing this drawing with thitd person is only allowed with OÜ MDSC SYSTEMS agreement!		Draw nr: RU54-1.00



Client:	MDSC	 <p>Deployable Shelter & Container Systems</p> <p>MDSC SYSTEMS OÜ Kukermiidi 8 Tallinn 11216 tel 6508820 fax 6508821 http://www.mdsc-systems.com</p>
Object:	Rolling Unit	
Category:	LAYOUT	
Drawing :	Rolling Unit RU54 - New Design	
Pr Manager:	R.Sink	Format:A3
Draftsman:	M. Voitk	Sheet: 2 / 2
M:(1 : 40)	Project nr.	Creation date: 09.05.2022
File:	RU54-1.00-LAYOUT.dwg	Draw nr: RU54-1.00
Sharing this drawing with thitd person is only allowed with OÜ MDSC SYSTEMS agreement!		