
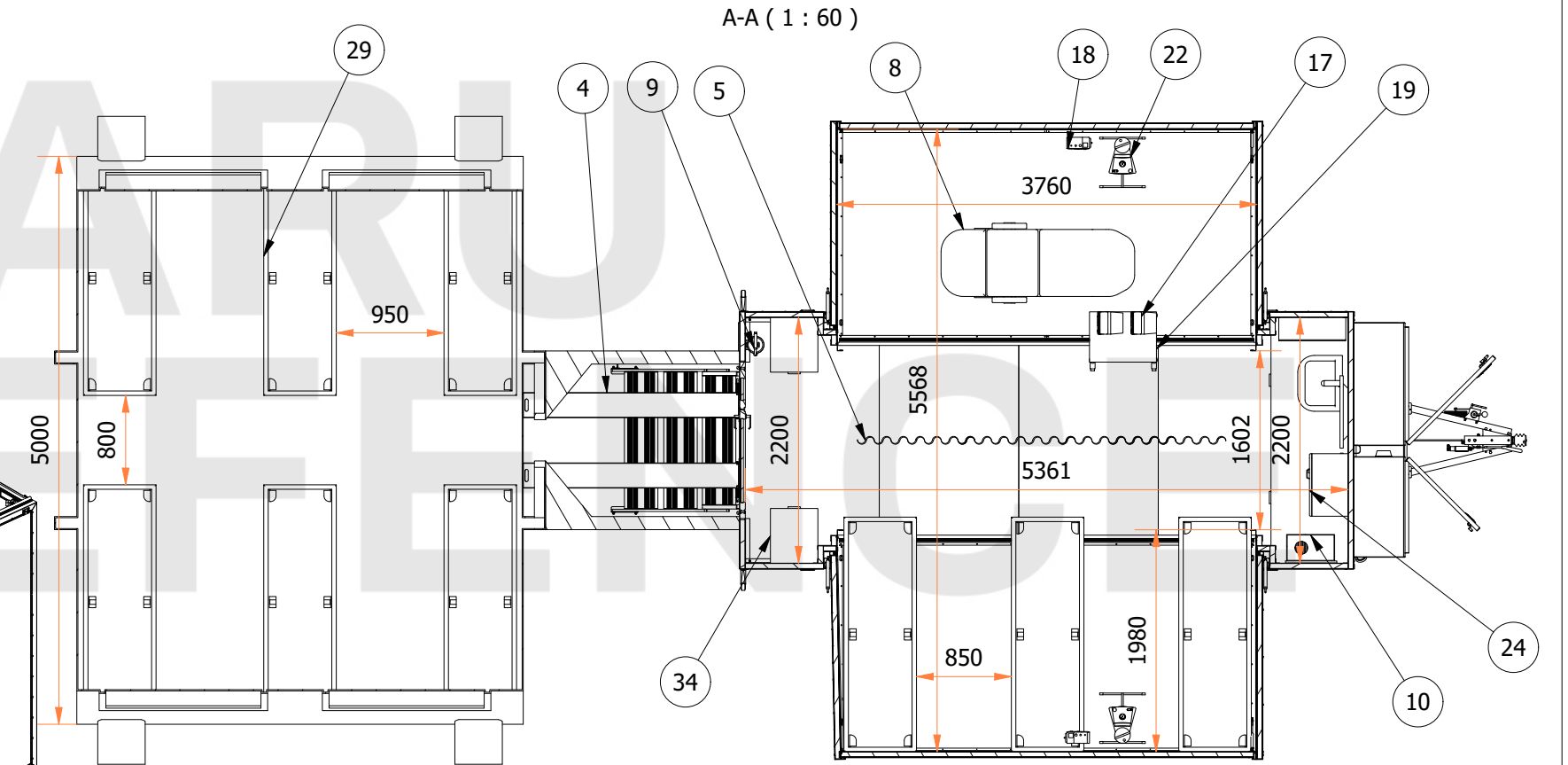
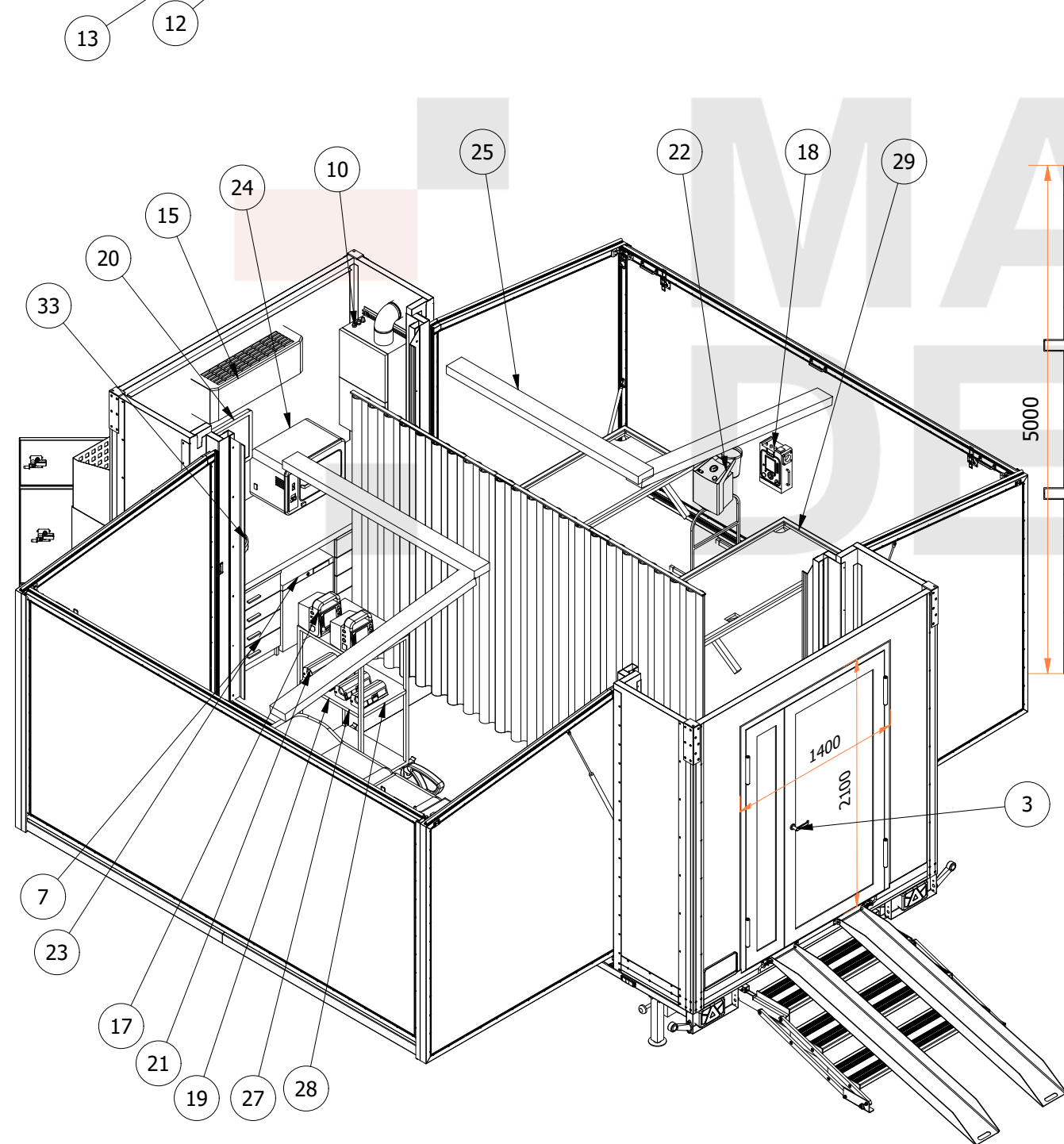
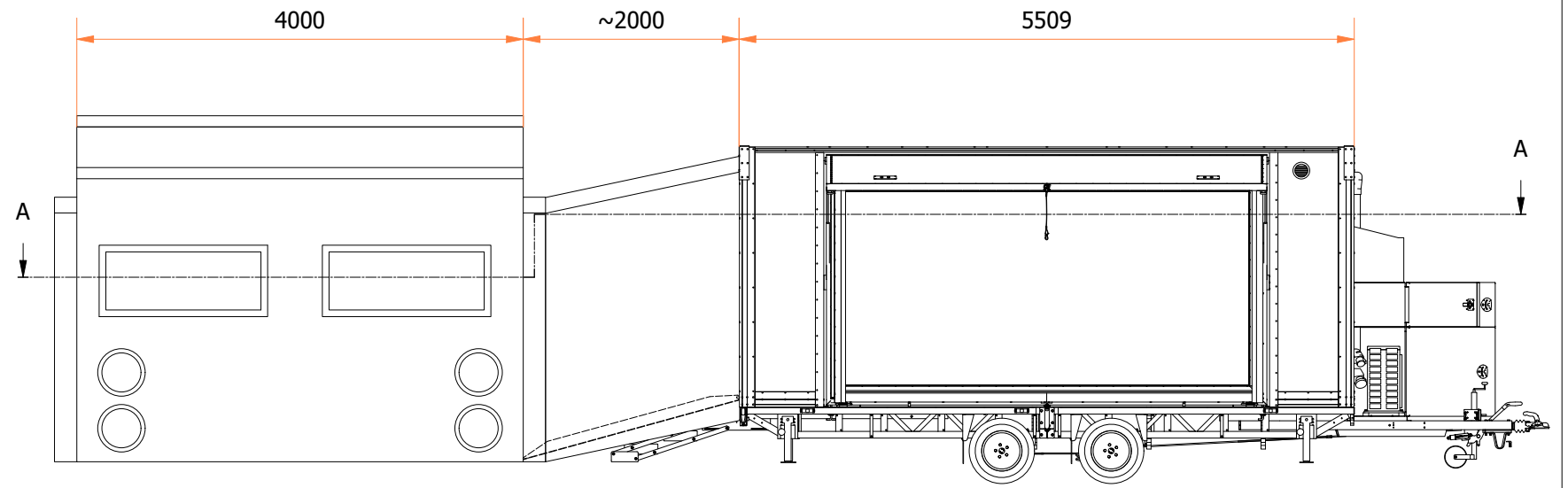
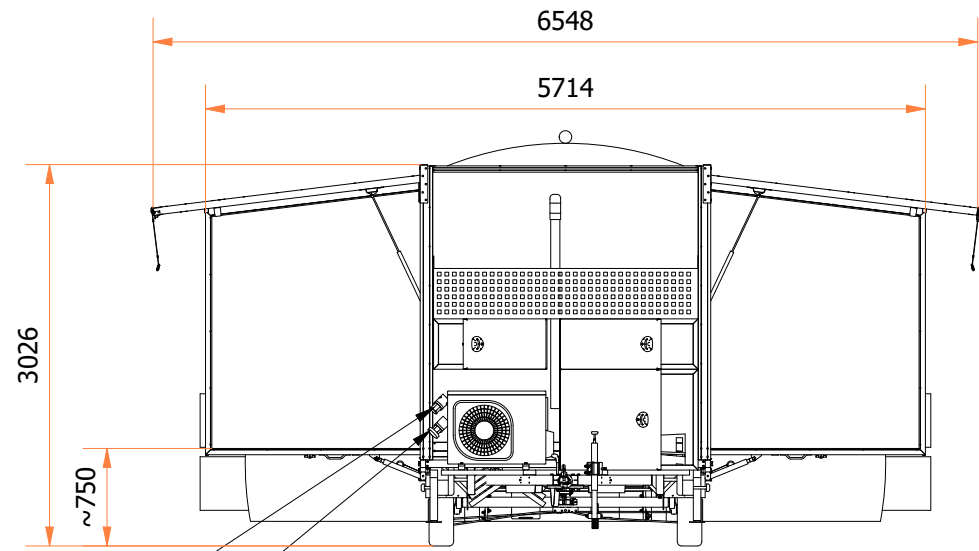


| BOM | | | |
|-----|--|--|-----|
| NR. | PART NUMBER | DESCRIPTION | QTY |
| 1 | RU53-8 | Mechanical support legs | 4 |
| 2 | level | | 4 |
| 3 | Aluminum profile door | 1400x2100 | 1 |
| 4 | Wheelchair ramp | 2000mm | 2 |
| 5 | Separation curtain | | 1 |
| 6 | Oxygen cylinder | | 4 |
| 7 | Work surface with drawers | | 1 |
| 8 | Famed VIDAR (SZ-01) | Operating table | 1 |
| 9 | Fire extinguisher | 6kg | 1 |
| 10 | Komfovent (Domekt S 650 F) | Ventilation unit | 1 |
| 11 | 500x800x1100 box | | 1 |
| 12 | Power input plug 400V | | 1 |
| 13 | Power input plug 220V | | 1 |
| 14 | 500x400x1100 box | | 1 |
| 15 | RU53-4-õhkpu | Heat pump_SRC50ZS-S_SRK50ZS-S | 1 |
| 16 | Cargo shelf | | 1 |
| 17 | Comen S8 | Monitor/defibrillator | 2 |
| 18 | Ventway Sparrow Robust (1xMRI + 1x no MRI) | Breathing device | 2 |
| 19 | Shelf on wheels | | 1 |
| 20 | MBT-1000.21/T | Surgical monitor | 1 |
| 21 | Perfusor/infusion pump M-300 | | 4 |
| 22 | V7 Plus b emergency + Eurovac H40 | Aspirator | 2 |
| 23 | PPGR47BT - Pharmacy Plus | Fridge | 1 |
| 24 | VWR INCU-Line IL 23 | Cabinet for heating infusion solutions | 1 |
| 25 | Gas box | Med gas box on the ceiling | 2 |
| 26 | 500x400x900box | | 1 |
| 27 | Meditech Model M600 + 25x Full Body Blanket 217x110 cm | | 1 |
| 28 | Blood and Infusion Warmer FT1800 | | 2 |
| 29 | Military foldable bed | | 9 |
| 30 | Tent_Rofi_Rapid 504 | | 1 |
| 31 | 6kw generator | | 1 |
| 32 | Water tank_200L | | 1 |
| 33 | Sink | | 1 |
| 34 | Cupboard | | 2 |

| | | | |
|--------------|-------------|---|--------------------------------|
| Client: | MDSC |  | |
| Object: | Konteinerid | MDSC SYSTEMS OÜ Kukermiidi 8 Tallinn 11216 tel 6508820 fax 6508821 http://www.mdsc-systems.com | |
| Category: | LAYOUT | | |
| Drawing: | Role1 RU53 | | |
| Pr. Manager: | M. Laan | Creation date: | 28.05.2024 |
| Draftsman: | M. Voitk | Sheet: | 1 / 3 |
| M: (1 : 60) | Project nr. | Format: | A3 |
| | | | ERP ID: |
| | | | Part nr. Role 1 sõiduk RU53 |

Sharing this drawing with third party personnel is only allowed with OÜ MDSC SYSTEMS permission.



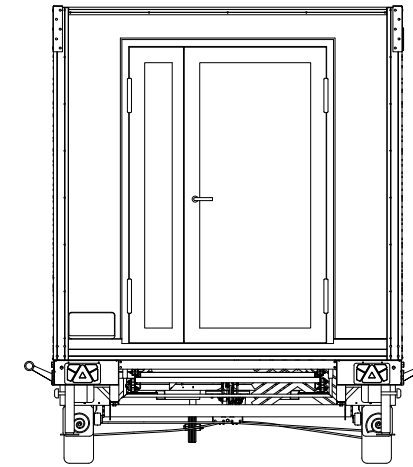
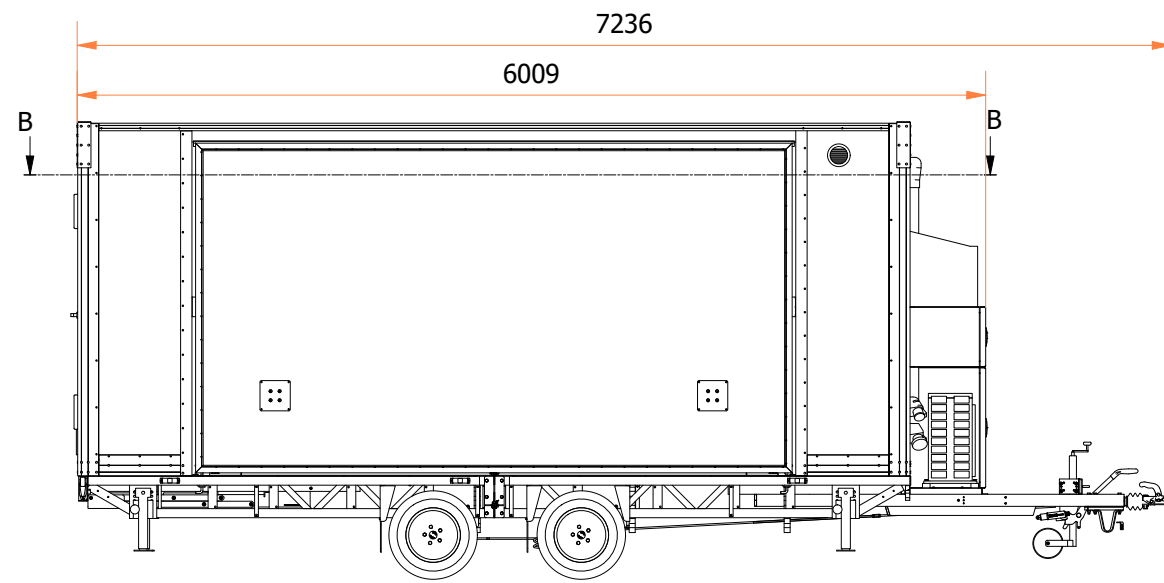
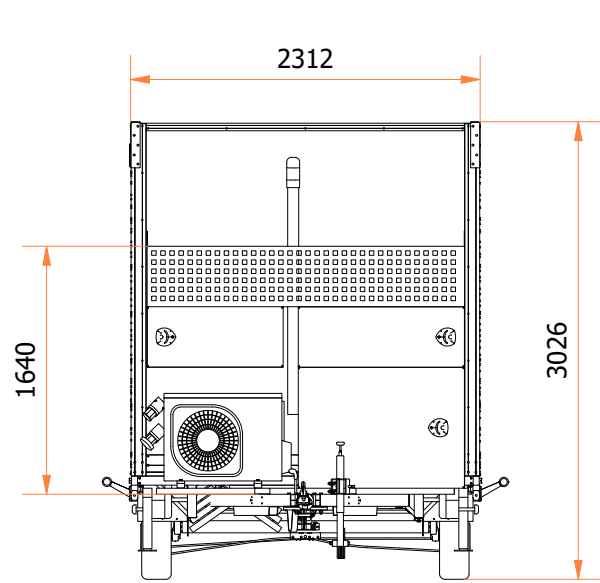
| | | | |
|--------------|-------------|----------------|------------|
| Client: | MDSC | | |
| Object: | Konteinerid | | |
| Category: | LAYOUT | | |
| Drawing: | Role1 RU53 | | |
| Pr. Manager: | M. Laan | Creation date: | 28.05.2024 |
| Draftsman: | M. Voitk | Sheet: | 2 / 3 |
| M: (1 : 60) | Project nr. | Format: | A3 |
| | | ERP ID: | |



MDSC SYSTEMS OÜ
 Kukermiidi 8 Tallinn 11216
 tel 6508820 fax 6508821
<http://www.mdsc-systems.com>

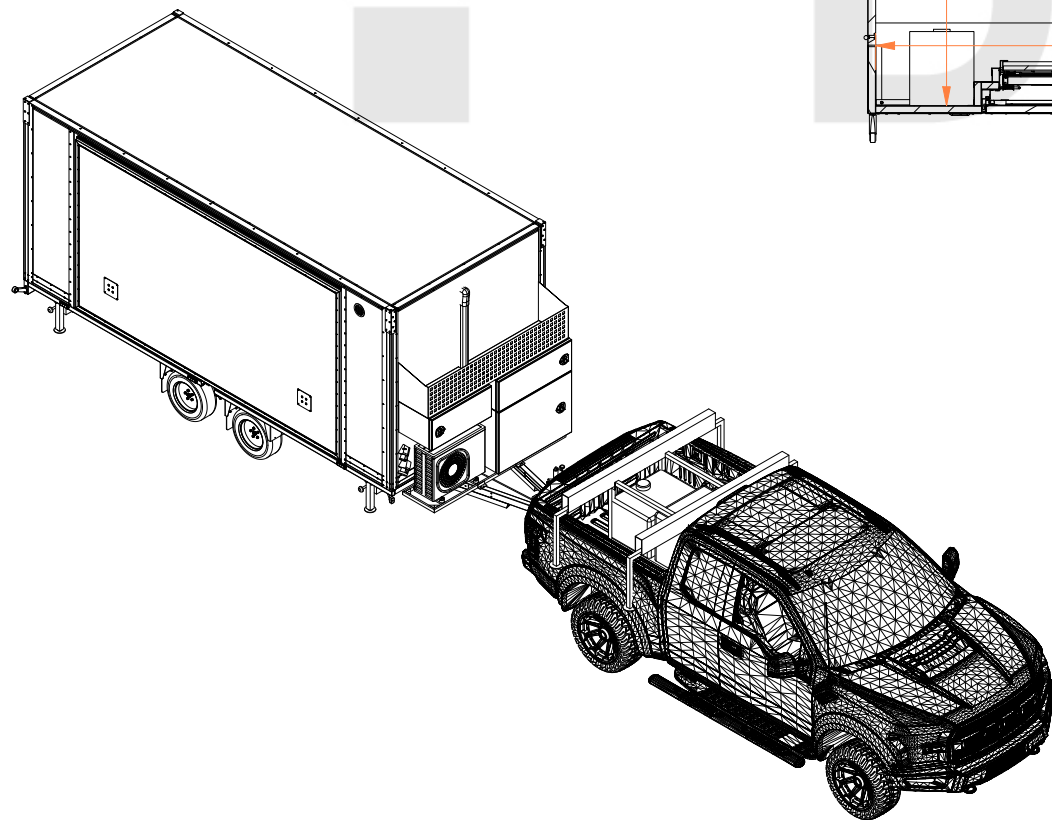
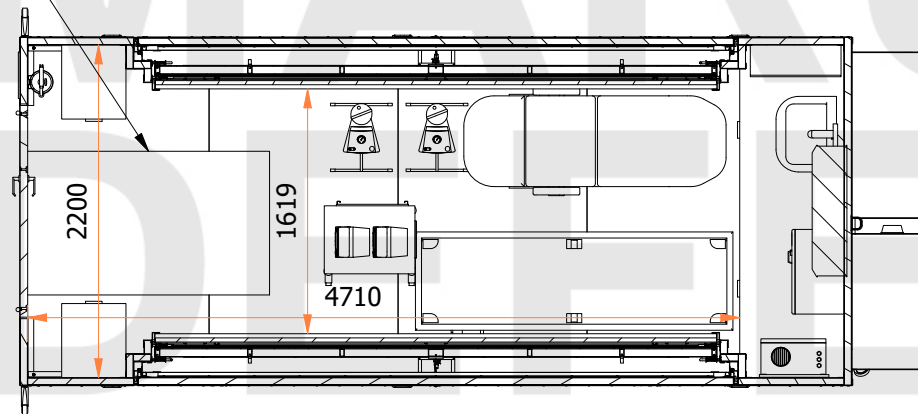
Part nr.
 Role 1 sõiduk RU53


Sharing this drawing with third party personnel is only allowed with OÜ MDSC SYSTEMS permission.



Tent 800x900x1600mm, ~160kg

B-B (1 :50)



| | | | | |
|--|-------------|---|------------|--------------------------------|
| Client: | MDSC |  Deployable Shelter & Container Systems | | |
| Object: | Konteinerid | | | |
| Category: | LAYOUT | | | |
| Drawing: | Role1 RU53 | MDSC SYSTEMS OÜ Kukermiidi 8 Tallinn 11216 tel 6508820 fax 6508821 http://www.mdsc-systems.com | | |
| Pr. Manager: | M. Laan | Creation date: | 28.05.2024 | Part nr. Role 1 sõiduk RU53 |
| Draftsman: | M. Voitk | Sheet: | 3 / 3 | |
| M: (1 :50) | Project nr. | ERP ID: | | |
| Sharing this drawing with third party personnel is only allowed with OÜ MDSC SYSTEMS permission. | | | | |